



Engine	Deutz
Net Power	30.5 kW (41.4 hp) @ 2,600 rpm
Vibration Frequency Range	54 Hz
Centrifugal Force Range	42 kN
Working Width	1,300 mm
Operating Weight	4,250 kg

604T

Tandem Hydrostatic Vibratory Roller



ENGINE

Emission Regulation	Tier 2 / Stage II
Make	Deutz
Gross Power	33.9 kW (44.5 hp) @ 2,600 rpm
Net Power	30.5 kW (41.4 hp) @ 2,600 rpm
Peak Torque	137 N · m
Number of Cylinders	3
Aspiration	natural
Cooling Type	air

ELECTRICAL SYSTEM

System Voltage	12 V
----------------	------

DRIVE TRAIN

Theoretical Gradeability, without/with Vibration	20%
Transmission Type	hydrostatic
Maximum Speed, fwd	10.5 km/h
Inside Turning Radius	<3,700 mm
Outside Turning Radius	<5,000 mm

AXLES

Steering System	hydraulic
Steering Method	articulation
Steering Angle	±30°
Steering Relief Pressure	16 MPa

BRAKES

Service Brake Type	hydraulic
Service Brake Actuation	hydraulic
Parking Brake Actuation	mechanical apply; hydraulic release

HYDRAULIC SYSTEM

Main Pump Type	piston pump + gear pump
Main Relief Pressure	35+18 MPa

PERFORMANCE

Static Linear Front Drum Load	162 kg - mm
Number of Vibrating Drums	2
Nominal Amplitude Range	0.44 mm
Vibration Frequency Range	54 Hz
Centrifugal Force Range	42 kN
Number of Amplitude Settings	2

OPERATING WEIGHTS

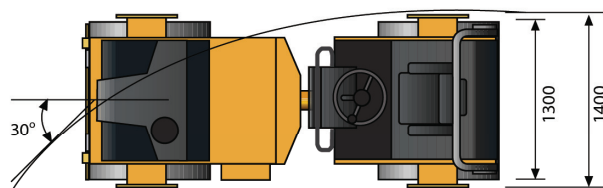
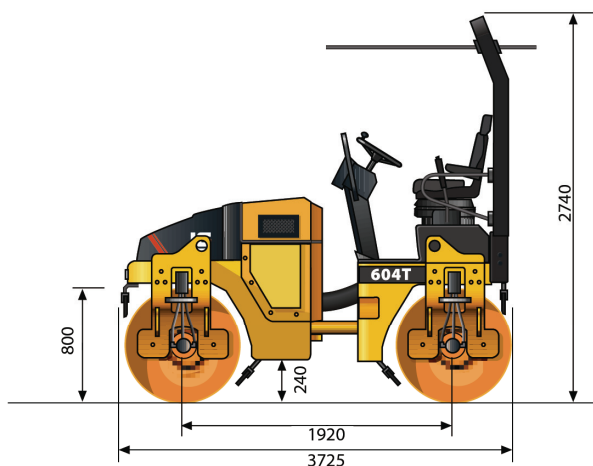
Operating Weight with Ballast	4,250 kg
Weight on Front Drum	2,100 kg
Weight on Tires	2,150 kg

SERVICE CAPACITIES

Fuel Tank	65 L
Engine Oil	6 L

OPTIONAL EQUIPMENT

Rotary Beacon
Backup Alarm



Unit: mm

Guangxi Liugong Machinery Co., Ltd.

No. 1 Liutai Road, Liuzhou, Guangxi 545007, PR China

T: +86 772 388 6124 E: overseas@liugong.com

www.liugong.com

09/2012 Designed by LiuGong

Specifications and designs are subject to change without notice. Machines shown may include optional equipment.