

2025H

LPG / Gas
Pneumatic Tire Forklifts



Model	Capacity @ 500mm LC	Fuel Type	Engine
2025H(LPG)	2,500 kg	Dual: Gas/LPG	Nissan K21 / 2.065 L
2025H(LPG)	2,500 kg	LPG	GM3.0 Ncert /3L
2025H(LPG)	2,500 kg	LPG	GM3.0 Certified / 3 L

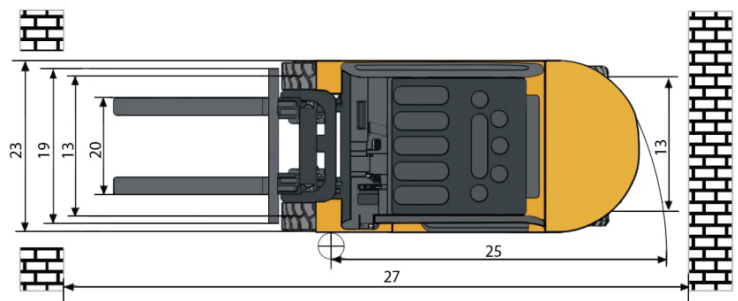
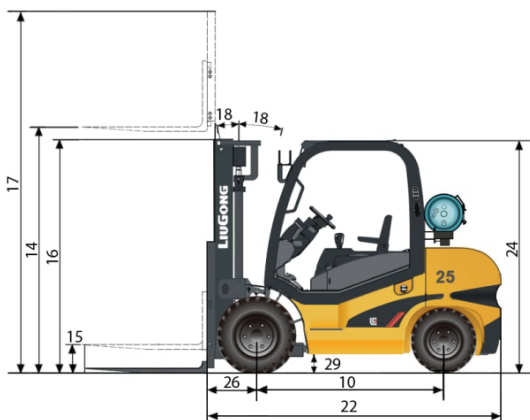


2025H

LPG/Gas • Pneumatic Tire Forklifts



General	1	Model			2025H(LPG)	2025H(LPG)	2025H(LPG)
	2	Power Type			Dual: Gas/LPG	LPG	LPG
	3	Base Capacity	@ rated load center	kg	2,500	2,500	2,500
	4	Load Center		mm	500	500	500
Weights	5	Service Weight	unloaded	kg	3,800	3,800	3,800
	6	Axle Load	loaded/unloaded, front	kg	5,545 / 1,520	5,545 / 1,520	5,545 / 1,520
	7		loaded/unloaded, rear	kg	755/2,280	755/2,280	755/2,280
Tires	8	Tire Type			Pneumatic	Pneumatic	Pneumatic
	9	Wheels	front/rear		2/2	2/2	2/2
	10	Wheelbase		mm	1,600	1,600	1,600
	11	Tire Size	front		7.00-12-12PR	7.00-12-12PR	7.00-12-12PR
	12		rear		6.00-9-10PR	6.00-9-10PR	6.00-9-10PR
13	Tread Width	front/rear		970 /980	970 /980	970 /980	
Mast	14	Max. Fork Height	with std 2-stage mast	mm	3,000	3,000	3,000
	15	Freelift	with std 2-stage mast	mm	150	150	150
	16	Height, Upright Lowered	with std 2-stage mast	mm	2,030	2,030	2,030
	17	Height, Upright Extended	with std 2-stage mast	mm	4,045	4,045	4,045
	18	Mast Tilt, Fwd/Back	with std 2-stage mast	deg	6° / 10°	6° / 10°	6° / 10°
	19	Carriage	width	mm	1,100	1,100	1,100
	20	Fork Spread	minimum/maximum	mm	244/ 1,032	244/ 1,032	244/ 1,032
	21	Fork Dimensions	T x W x L	mm	40x 122 x 920	40 x 122 x 920	45 x 122 x 920
Chassis	22	Length to Fork Face	with std 2-stage mast	mm	2,560	2,560	2,560
	23	Overall Width		mm	1,150	1,150	1,150
	24	Overhead Guard Height		mm	2,170	2,170	2,170
	25	Turning Radius	minimum outside	mm	2,280	2,280	2,280
	26	Fork Overhang	with std 2-stage mast	mm	464	464	464
	27	Right Angle Stack	add load length and clearance	mm	3,840	3,840	3,840
	28	Ground Clearance	minimum loaded	mm	135	135	135
29	center of wheelbase		mm	145	145	145	
Performance	30	Travel Speed	loaded/unloaded	km/h	20 / 21	20 / 21	20 / 21
	31	Lift Speed	loaded/unloaded	m/s	0.45 /0.52	0.45 /0.52	0.45 /0.52
	32	Lower Speed	loaded/unloaded	m/s	0.48 /0.45	0.48 /0.45	0.48 /0.45
	33	Max. Drawbar Pull	loaded	kg	2,105	2,105	2,105
	34	Max. Gradeability	loaded/unloaded	%	18/20	18/20	18/20
Systems	35	Brakes	service		Foot / Hyd	Foot / Hyd	Foot / Hyd
	36		parking		Hand / Mech	Hand / Mech	Hand / Mech
	37	Engine	manufacturer		Nissan	IMPCO	IMPCO
	38		model		K21	GM3.0 Ncert	GM3.0 Certified
	39		emission compliance		N/A	N/A	EPA Tier IV
	40		cylinders		4	4	4
	41		displacement	liter	2.065	3.0	3.0
	42		rated power	kw/rpm	31.2 /2,250	40 /2,300	60 /2,800
	43		max. torque	N-m/rpm	143.7/1,600	200 /1,600	220 /2,100



Specifications and designs are subject to change without notice. Machines shown may include optional equipment.

Guangxi Liugong Machinery Co., Ltd.
 No. 1 Liutai Road, Liuzhou, Guangxi 545007, PR China
 T: +86 772 3886124 E: overseas@liugong.com
 www.liugong.com

02/2013 Designed by Liugong